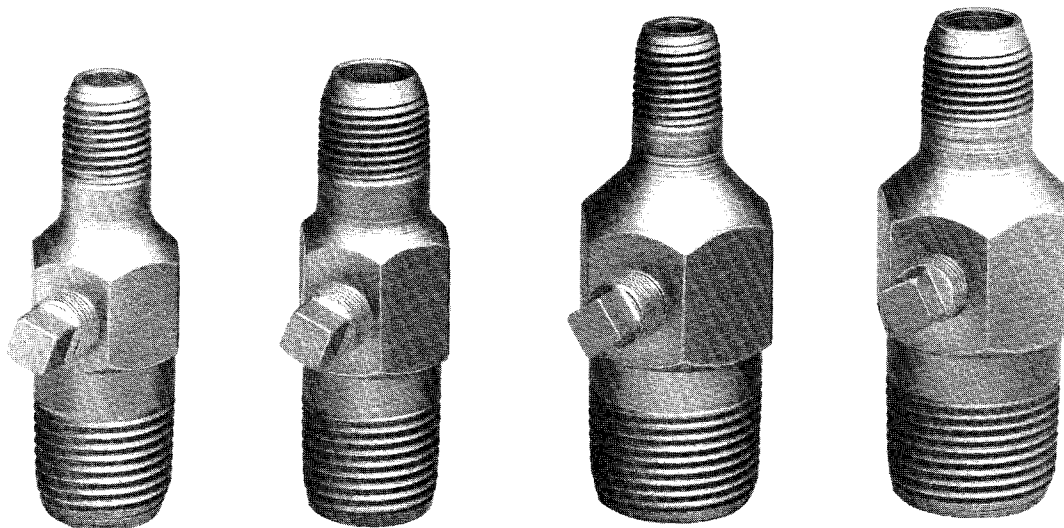


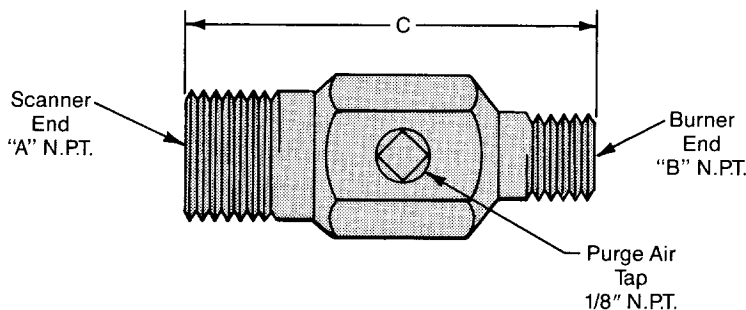
ECLIPSE FLAME SCANNER ADAPTERS



Eclipse Flame Scanner Adapters permit quick, easy installation of ultraviolet flame scanners to burner connections of a different pipe size. Made from heavy steel, these adapters are supplied with a 1/8" N.P.T. tap to permit connection of a purge air line, if required.

For preheated air burners or locations where ambient temperatures are high, scanners should be installed with the Eclipse HBS Heat Block Seal (Bulletin P-30-1). If the burner scanner connection doesn't match the 3/4" thread of the HBS, these adapters can be used as a convenient transition fitting.

DIMENSIONS



Assembly Number	Dimensions in Inches		
	A	B	C
103004	1/2	1/4	2-3/4
103003	1/2	3/8	2-3/4
103002	3/4	1/4	3
103001	3/4	3/8	3
103000	3/4	1/2	3



ECLIPSE COMBUSTION



Offered By:

Power Equipment Company
2011 Williamsburg Road
Richmond, Virginia 23231
Phone (804) 236-3800
Fax (804) 236-3882

www.peconet.com